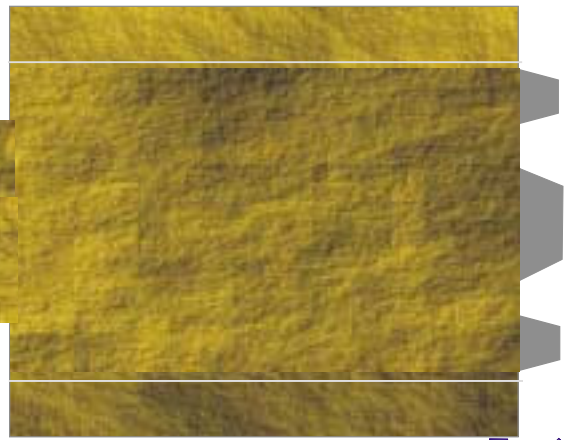


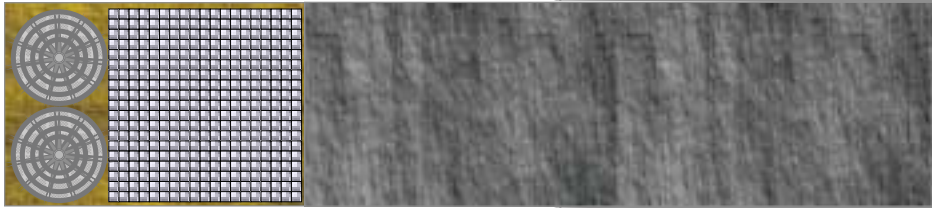
Fold back

G

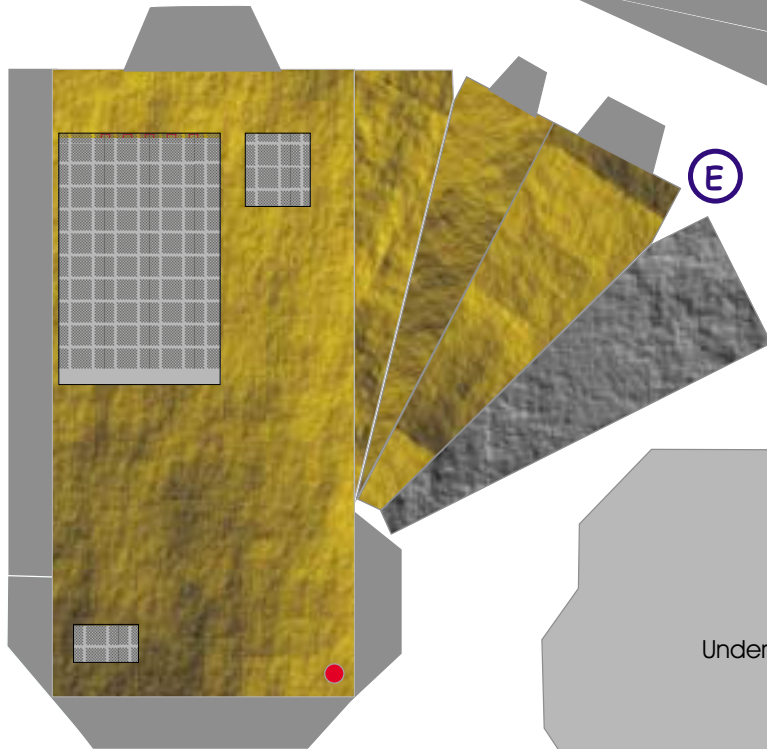
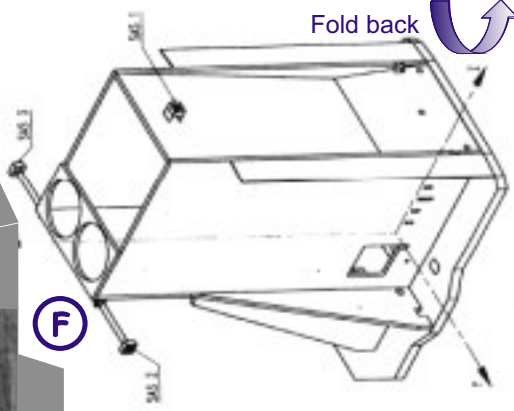
Top Flap



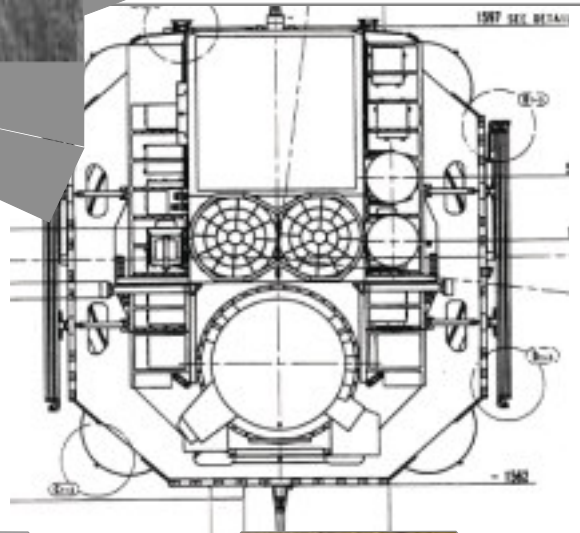
Fold back



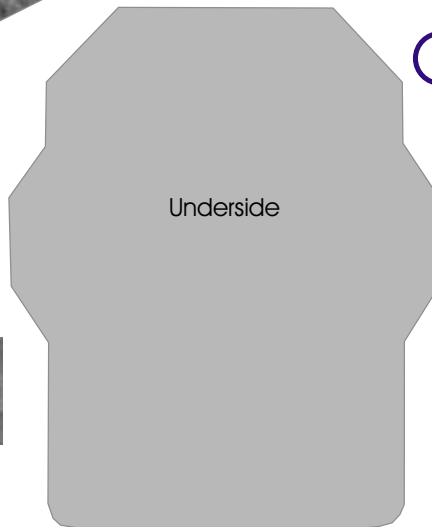
F



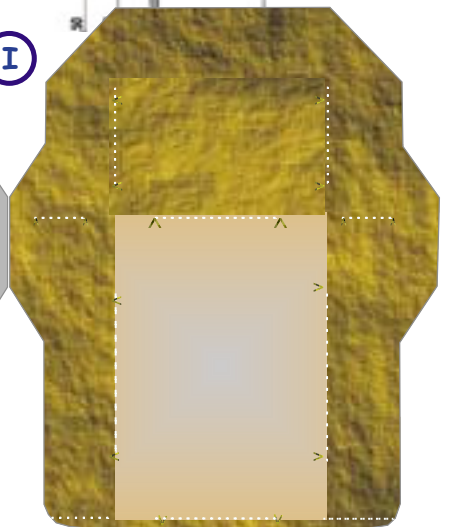
E



J



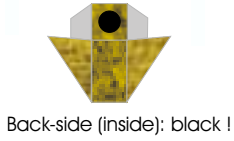
I



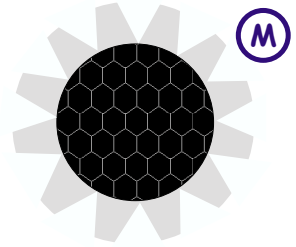
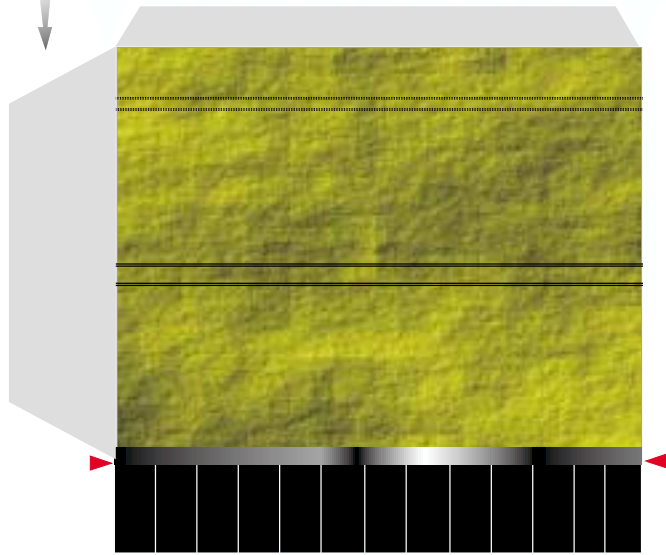
H

Backside of Flap: black

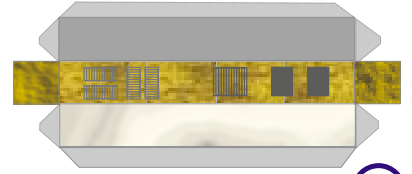
K



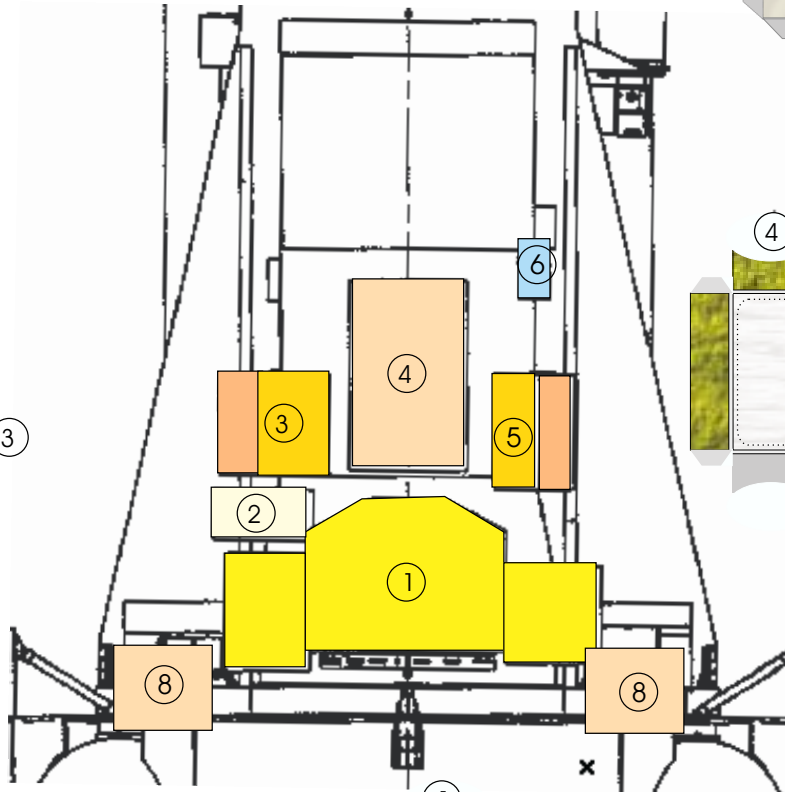
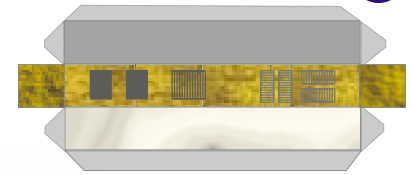
Back-side (inside): black !



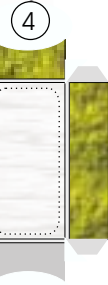
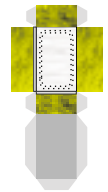
M



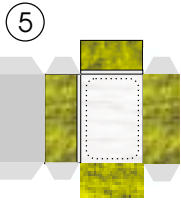
L



6

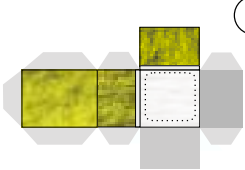


4

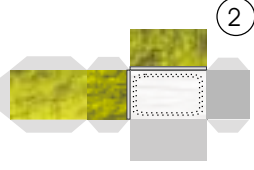


5

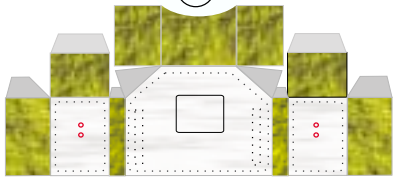
3



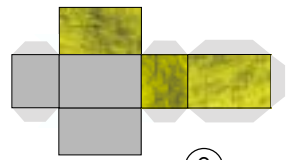
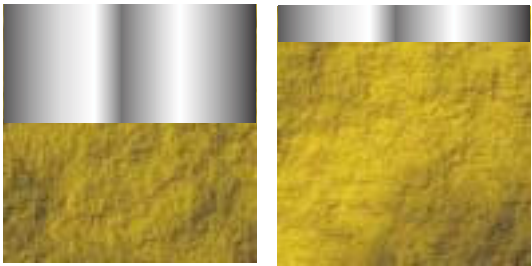
2



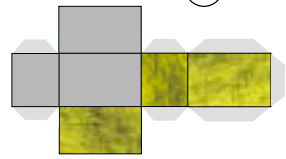
1



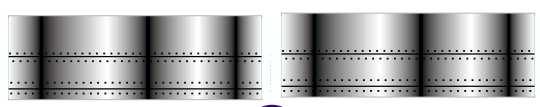
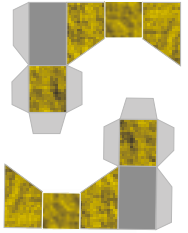
N



8

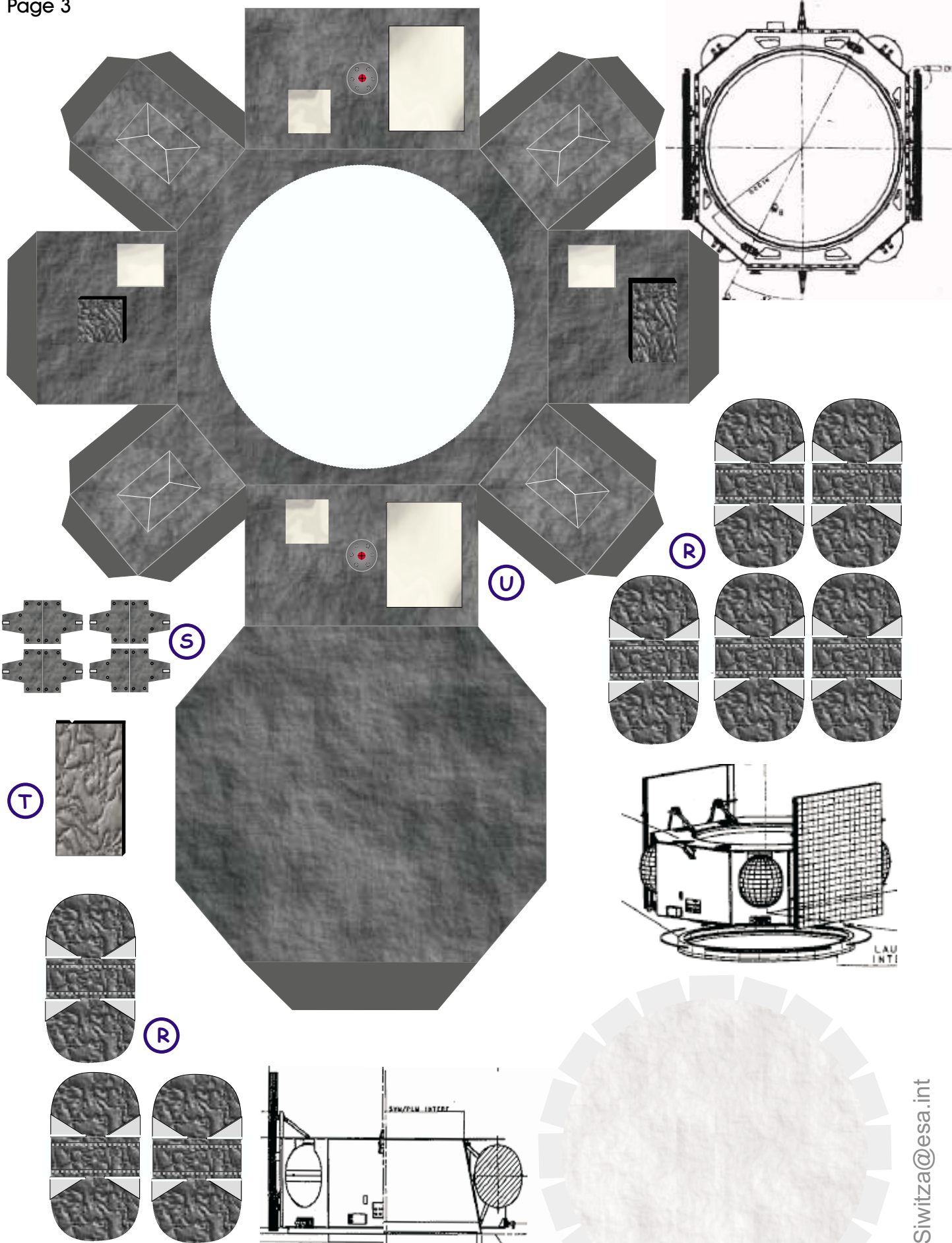


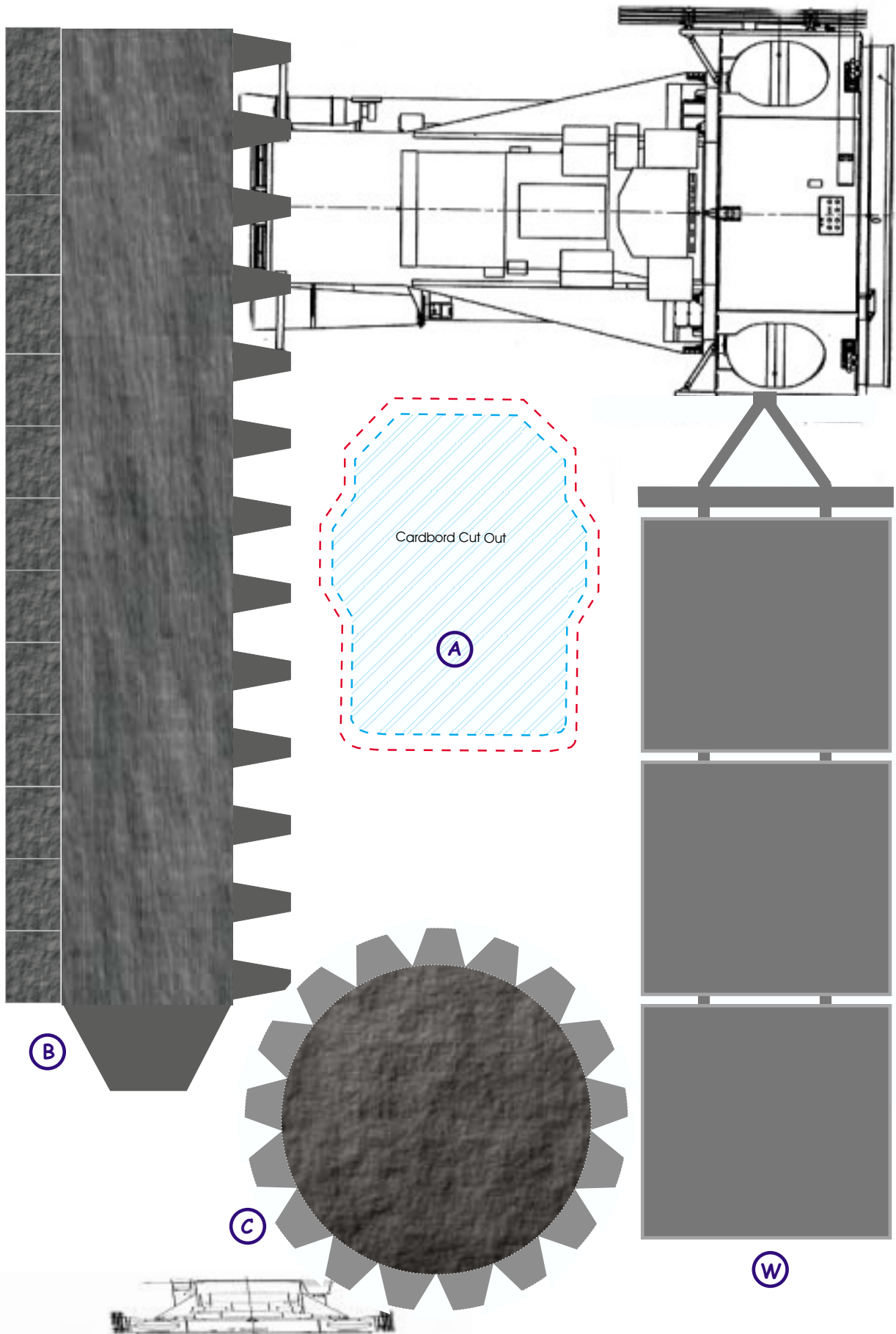
O

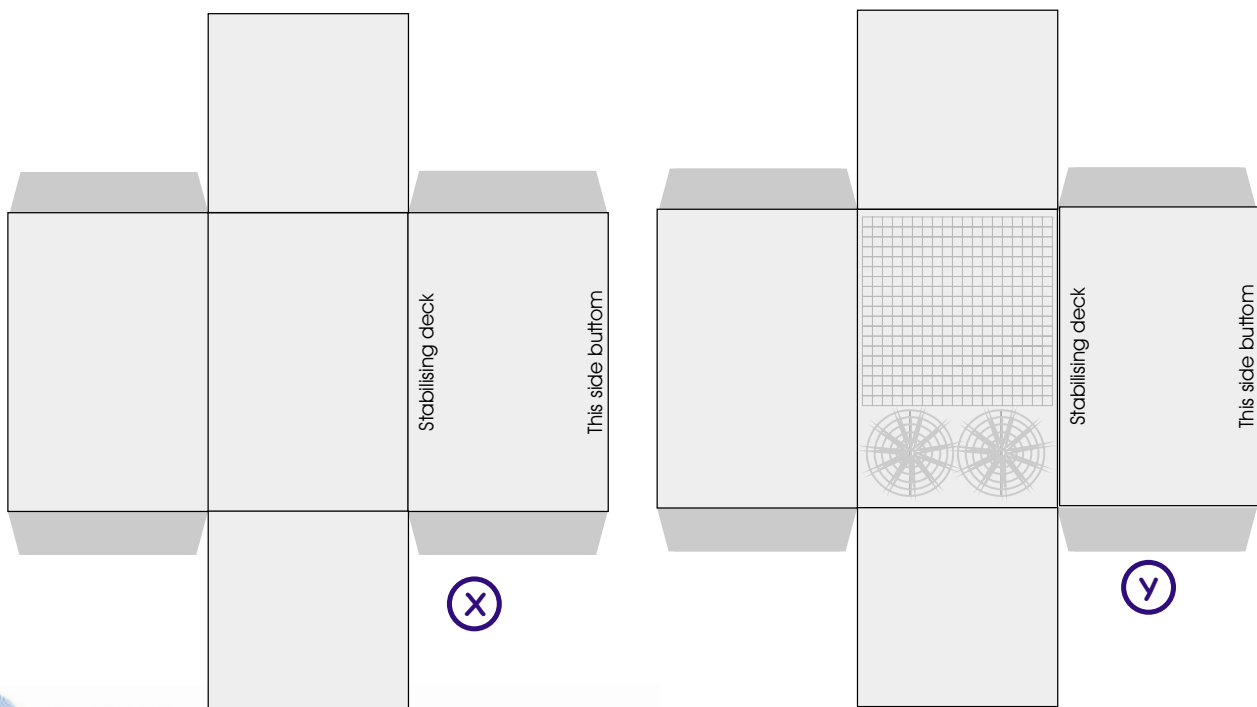
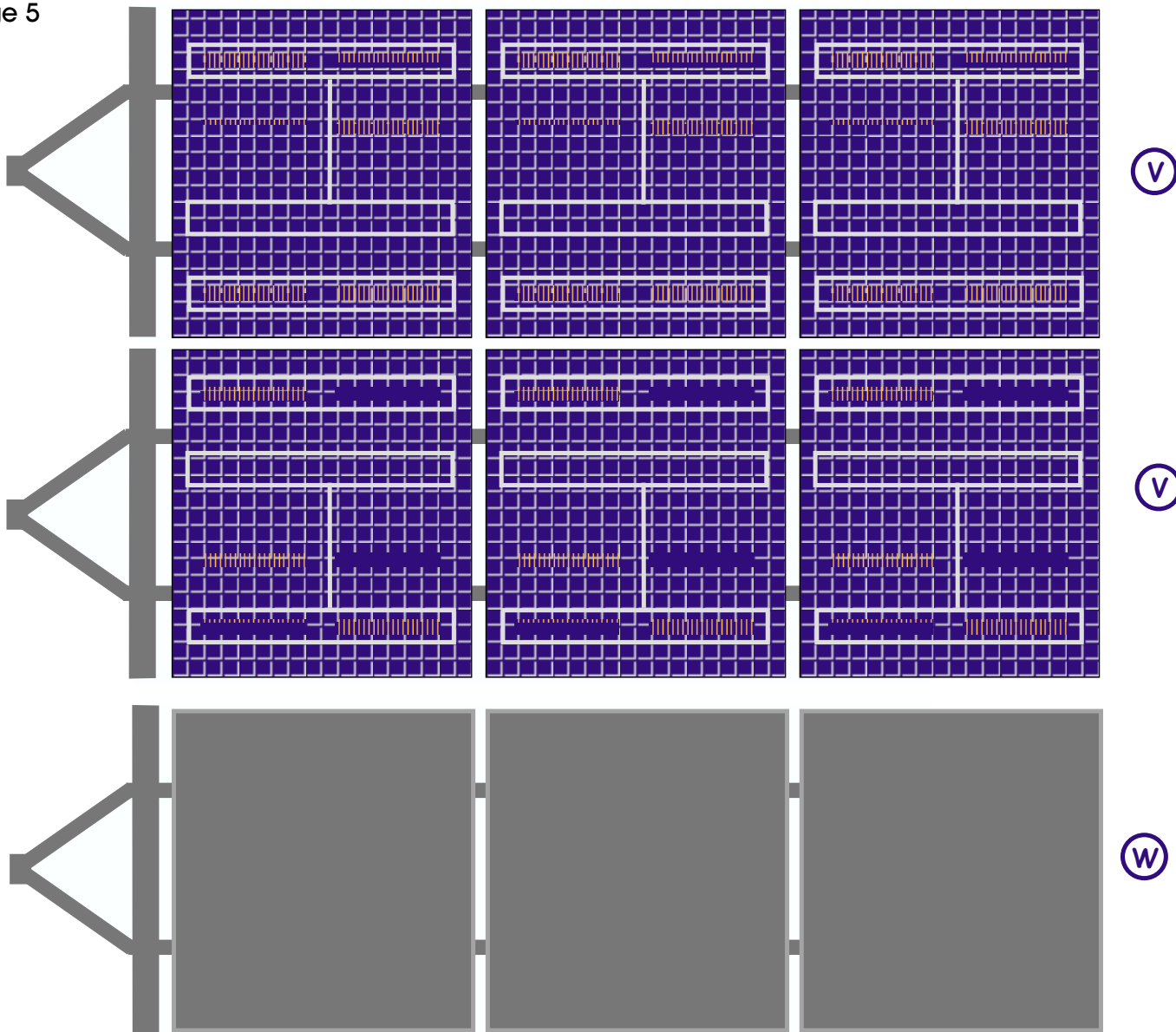


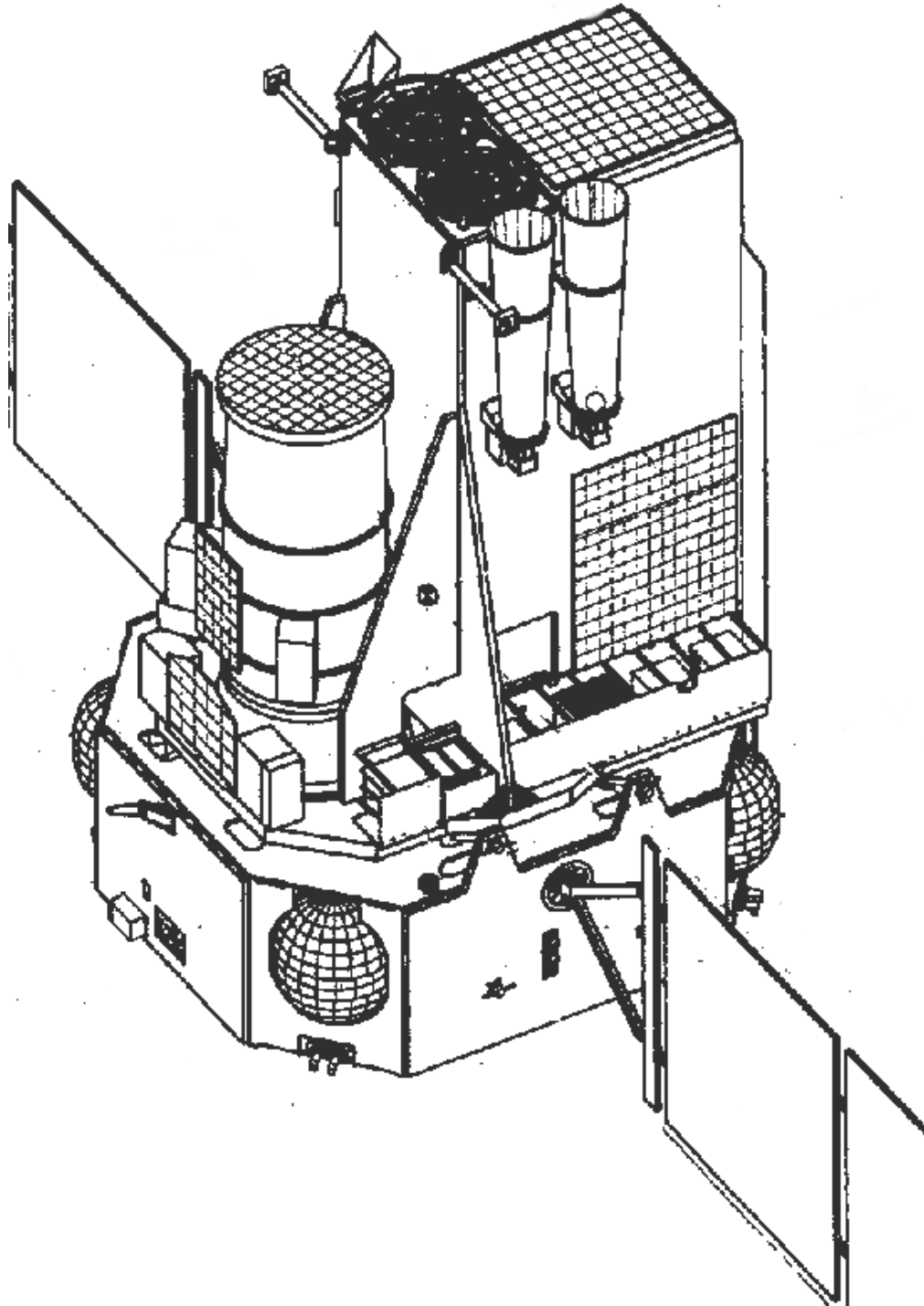
P











# SCALE MODEL

## Construction Manual